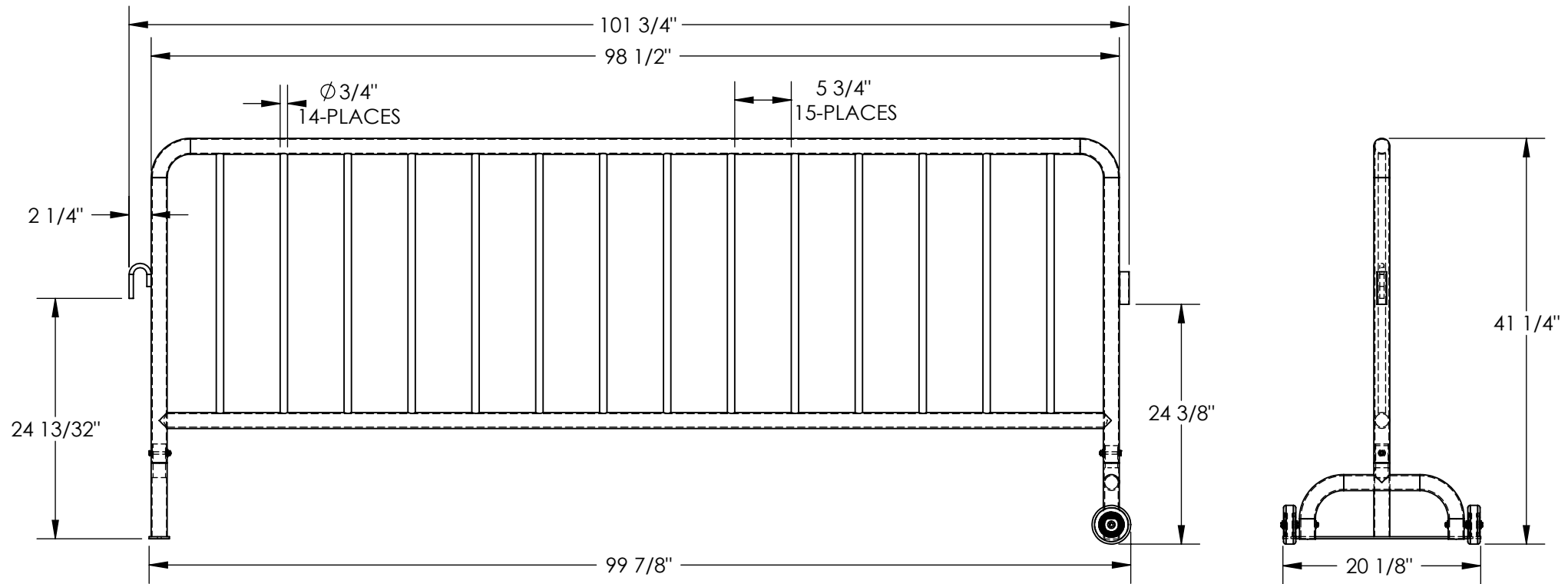


HEAVY-DUTY INDUSTRIAL INTERLOCKING BARRIER - PRAIL-102-HD-G-WF

APPROX WEIGHT: 56 lbs.
 DOES NOT INCLUDE WEIGHT OF POWER OR PACKAGING!!!

*** ANY ADDITIONS, DELETIONS, OR OMISSIONS MUST BE CORRECTED ON THIS DRAWING AS THIS DRAWING WILL BE CONSIDERED ALL INCLUSIVE ***

ALL GRAPHICS PROVIDED ARE FOR REFERENCE ONLY. IF CERTAIN DIMENSIONS ARE CRITICAL PLEASE VERIFY THOSE DIMENSIONS WITH YOUR SALESPERSON



DIMENSION TOLERANCE $\pm 1/2$ "

STANDARD FEATURES

- MODEL NUMBER IS PRAIL-102-HD-G-WF
- OVERALL WIDTH IS: 20 1/8"
- OVERALL LENGTH IS: 101 3/4"
- OVERALL HEIGHT IS: 41 1/4"
- DISTANCE BETWEEN VERTICAL BARS IS: 5 3/4"
- INCLUDES CONNECTORS TO ATTACH MULTIPLE UNITS TOGETHER
- INCLUDES ONE FLAT FOOT AND ONE WHEELED FOOT
- FEET ARE REMOVABLE FOR STORAGE AND SHIPPING
- GALVANIZED FINISH

SPECIAL FEATURES

NONE

APPROVAL

I, THE UNDERSIGNED, AGREE THAT THE PRODUCT AS REPRESENTED SATISFIES DESIGN AND DIMENSION REQUIREMENTS. I ALSO ACKNOWLEDGE MY DUTY TO CONFIRM PRODUCT AND INSTALLATION COMPLIANCE WITH ALL APPLICABLE FEDERAL, STATE AND LOCAL REGULATIONS AND STANDARDS.

UNITS REQUIRING APPROVAL DRAWINGS OR MODIFIED ARE NON-RETURNABLE

As drawn As marked

Signed: _____ Date: _____

Printed Name: _____

LEAD TIME WILL START UPON RECEIPT OF SIGNED APPROVAL DRAWING

DISTRIBUTOR'S NAME:		P.O.#
VESTIL MANUFACTURING		X
DRAWN BY: T. MOORE		W.O.#
DATE: 05/27/10		X
REFERENCE: X	SCALE: 1:15	SALES: X
QUOTED LEAD TIME: X	QUOTE #	FILE NAME:
	X	23-007-361